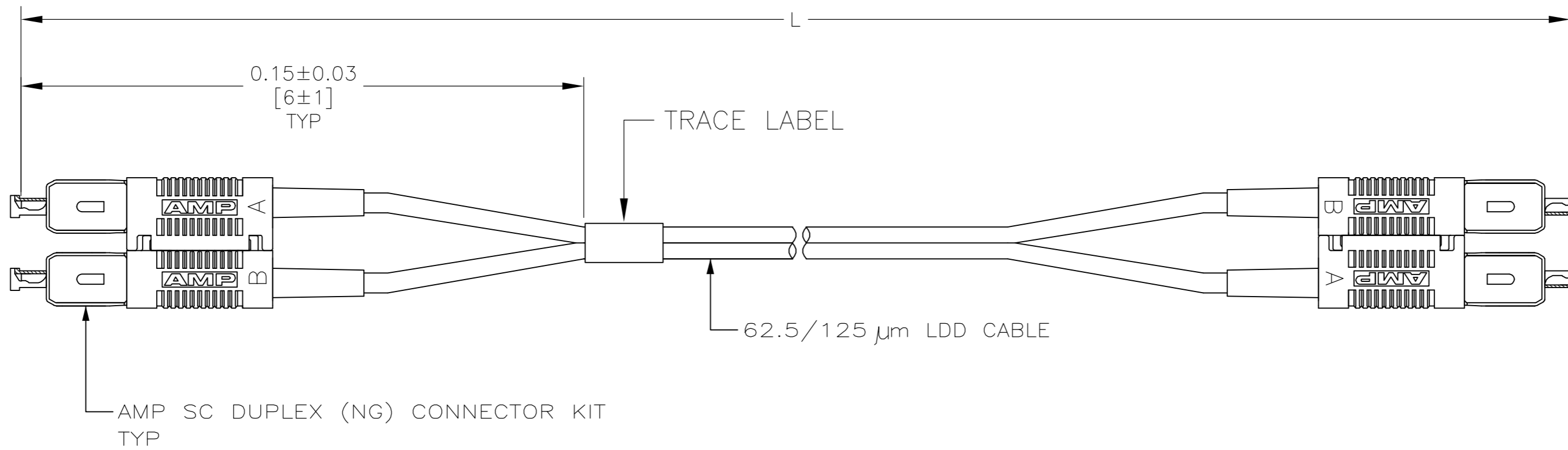


THIS DRAWING IS UNPUBLISHED. RELEASED FOR PUBLICATION
 © COPYRIGHT BY TYCO ELECTRONICS CORPORATION. ALL RIGHTS RESERVED.

LOC	DIST	REVISIONS			
P	LTR	DESCRIPTION	DATE	DWN	APVD
CE	16	A	RELEASE PER NPR	25 OCT 05	CSV JD

- MAXIMUM CONNECTOR INSERTION LOSS IS 0.5 dB PLUS CABLE ATTENUATION OF 1.5dB/km AT 1300nm (SEE TABLE)
- PRODUCT AND PROCESSING MUST MEET REQUIREMENTS OF TYCO ELECTRONICS STANDARD 230-702



MAX IL (dB)	L	PART NUMBER
0.95	300.00±3.00 [11811.02±118.11]	9-5492249-9
0.65	100.00±1.00 [3937.01±39.37]	9-5492249-8
0.55	35.00±0.35 [1377.95±14.00]	3-5492249-5
0.55	30.00±0.30 [1181.10±11.81]	3-5492249-0
0.54	25.00±0.30 [984.25±11.81]	2-5492249-5
0.53	20.00±0.30 [787.40±11.81]	2-5492249-0
0.52	15.00±0.15 [590.60±6.00]	1-5492249-5
0.52	10.00±0.15 [393.70±5.91]	1-5492249-0
0.51	8.00±0.15 [315.00±6.00]	5492249-8
0.51	6.00±0.08 [236.20±3.00]	5492249-6
0.51	5.00±0.08 [196.85±3.15]	5492249-5
0.50	3.00±0.05 [118.11±1.97]	5492249-3
0.50	2.00±0.05 [78.74±1.97]	5492249-2
0.50	1.00±0.05 [39.37±1.97]	5492249-1

THIS DRAWING IS A CONTROLLED DOCUMENT.		DWN C.S.VASU 25 OCT 05	Tyco Electronics Corporation Harrisburg, Pa 17105-3608	
DIMENSIONS: METERS [INCHES]		CHK J.DUNCAN 25 OCT 05	NAME CABLE ASSEMBLY, 62.5/125 LDD, AMP SC DUPLEX (NG), OPTIMATE	
TOLERANCES UNLESS OTHERWISE SPECIFIED:		APVD J.DUNCAN 25 OCT 05	SIZE A2	
0 PLC ± -	1 PLC ± -	PRODUCT SPEC	CAGE CODE 00779	DRAWING NO C=5492249
2 PLC ± -	3 PLC ± -	APPLICATION SPEC	RESTRICTED TO	
4 PLC ± -	ANGLES ± -		SCALE NTS	SHEET 1 OF 1
MATERIAL	FINISH	WEIGHT	REV A	
CUSTOMER DRAWING				

5492249